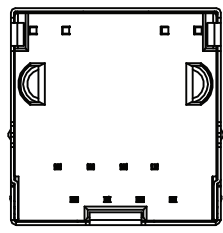
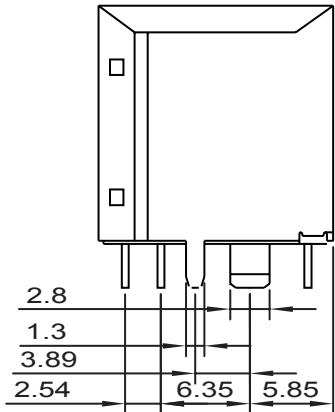
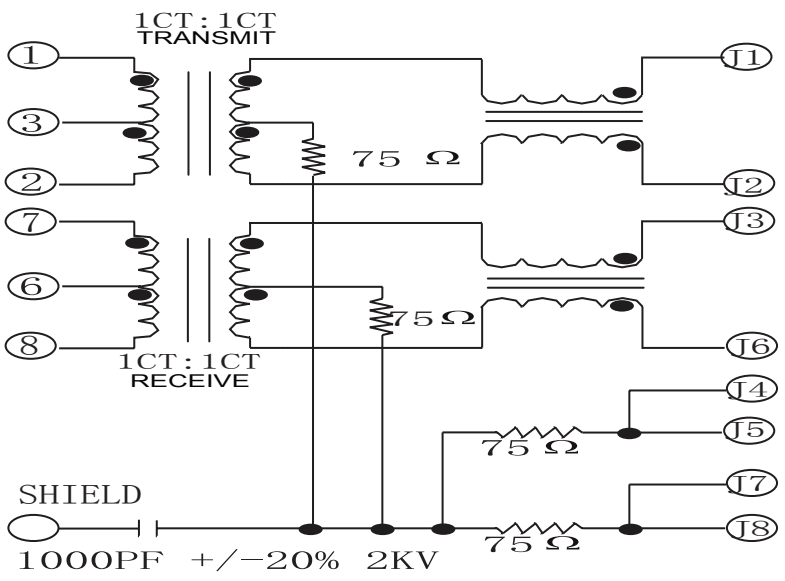


SUGGESTED PCB LAYOUT (TOP VIEW)



ELECTRICAL SPECIFICATIONS @ 25°C unless otherwise noted:

- Insertion Loss: 1-100MHZ -1.0dB MAX
- Return Loss: 1-30MHZ -16.0dB MIN
30-60MHZ -14.0dB MIN
60-80MHZ -10.0dB MIN
- Cross Talk: 1-30MHZ -40.0dB MIN
30-60MHZ -35.0dB MIN
60-80MHZ -30.0dB MIN
- CMR: 1M-100MHZ -35dB MIN
- Hi-Pot: 1500v AC 6S 1mA
- Turn Ratio: 1CT:1CT+/-3%
- OCL:350uH MIN @ 100KHZ 100mV 8mA DC
- Contacts: 0.35mm thick phos bronze plated with 6u' gold in contact are
- Housing Material:PBT Black
- Operating temperature range:-40°C-+85°C



<h1>DGKYD</h1> <p>Drafted by: XuTiWen</p>	UNIT : mm .x+/-0.3, .xx+/-0.20, .xxx+/-0.13	Approved By: JP. Gong	
	180度-100BASE 1X1 Tab-UP RJ45	Part No: DGKYD511B113GWA8	REV A
		WWW.DGKYD.COM	SHEET 1 OF 1